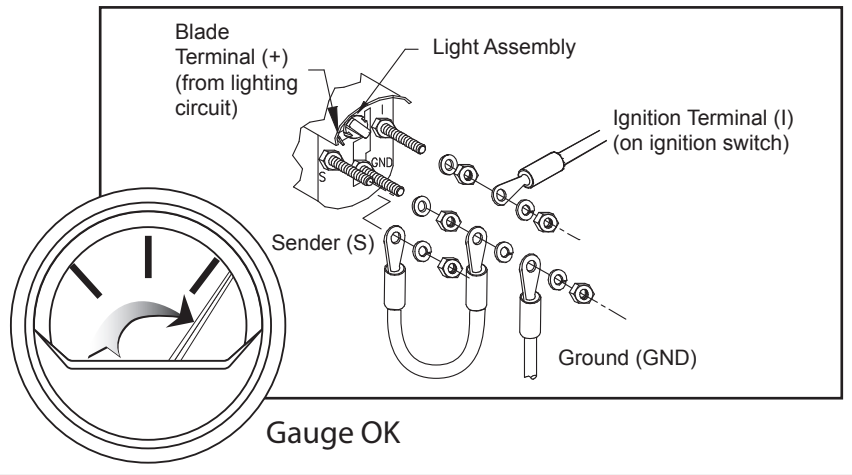




Test Gauge

- 1.) To test the discrete gauge without a Faria tester; power up the gauge by connecting the power wire to the ignition (marked "I") stud and ground wire to the ground stud (marked "GND").
- 2.) Then use a jumper wire to connect the signal (marked "S") stud to the ground stud.
- 3.) At this time the pointer should deflect to the extreme right on the dial and stay there as long as the sender stud and ground stud are shorted.
- 4.) If the gauge needle does not move or read full deflection to the right it is defective.



Testing a Faria Gauge with American Resistance Sender

Test Gauge with a Faria Tester

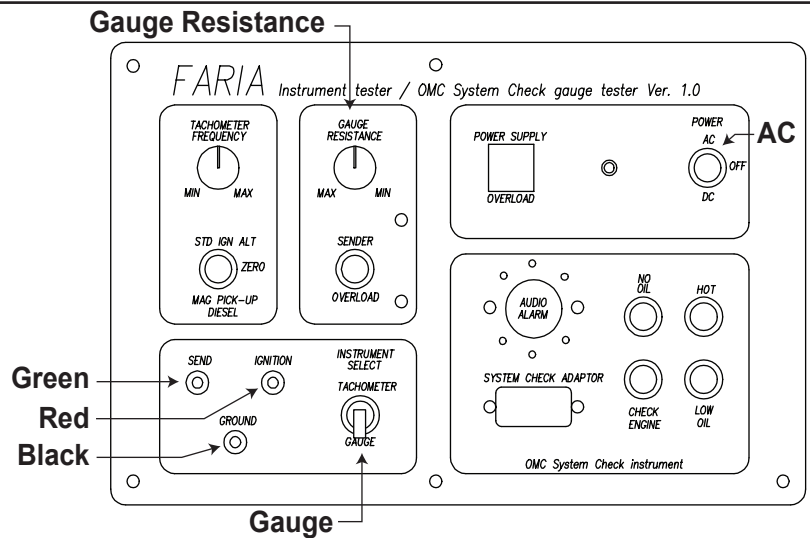
- 1.) From the gauge, connect the leads from the test box as follows:

Red wire to the **IGNITION** stud
Black wire to the **GROUND** stud
Green wire to the **SEND (Sender)** stud.

- 2.) Set the toggle switch on the test box to: **GAUGE**.
- 3.) Set the power switch to the **AC** position.
- 4.) Use the **GAUGE RESISTANCE** knob to sweep the gauge.
- 5.) If the gauge sweeps without any signs of the meter being "sticky" then the gauge is good.

Note: This is not a calibration check.

If problem still exists then check the sender.

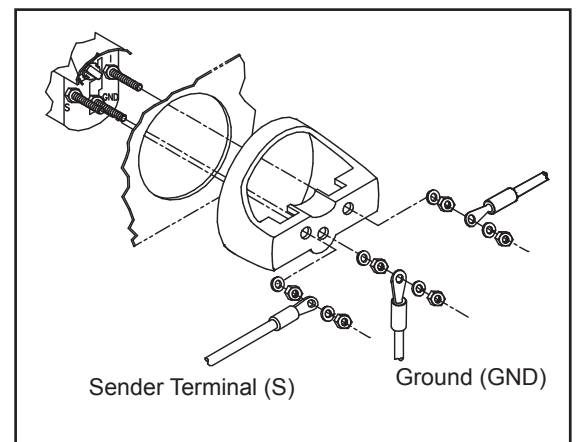


To test an American resistance sender

- 1.) Unhook the sender (S) wire from the back of the gauge.
- 2.) Use an ohmmeter to measure the resistance between the sender wire and ground stud (GND) on the gauge.

Fuel Level		Temperature		Oil Pressure	
240 Ohms	Empty	450 Ohms	100°F	240 Ohms	0 PSI
103 Ohms	½ Tank	99 Ohms	175°F	103 Ohms	40 PSI
33.5 Ohms	Full	29.6 Ohms	250°F	33.5 Ohms	80 PSI

- 3.) **If you obtain a 0.0 reading** then there is a short in the wiring or the sender.
If you obtain a "OL" or open lead reading then the sender or wiring has an incomplete circuit.
- 4.) To narrow down the search for the fault after measuring the resistances at the gauge, unhook the sender wire from the sender and measure the resistance directly at the sender.
- 5.) If you now have a proper resistance reading then the wiring is at fault. If the readings are still incorrect then the problem is the sender.



Note: Not for use with the Trim sender.
 Please contact Faria for Trim sender tests
 860.848.9271 ext. 1229.